



GENUINE PARTS

INSTALLATION INSTRUCTIONS

DESCRIPTION: Vehicle Tracking and Recovery System

APPLICATION: NV200

PART NUMBER: 999Q8 VZ001

KIT CONTENTS:

Item	Qty.	Part Description	Service Part Number
A	1	GPS Control Module	999Q8 VZ003 S1
B	1	Wire Harness	999Q8 HX000S2
C	1	I/I Download Instructions	999V2 AW000
D	8	6" Cable Ties	
E	2	12" Cable Ties	
F	1	Foam Pad (on module)	
G	10	Foam Tape	
H	1	Alcohol wipe	
I	1	Mirror Hanger (Nissan VTRS information)	
J	1	Owners Manual	
K	1	Activation Card (included in owners manual)	
L	0	Installation Instructions	999Q8 FZ001 II



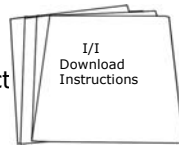
A

pin VT



B

aped to fact



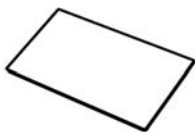
C



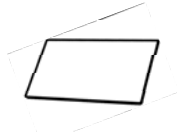
D



E



F



G



H



I



J



K

TOOLS REQUIRED:

- Ratchet
- 10mm socket
- #2 Phillips screwdriver
- Plastic pry bar

PRE-INSTALLATION WARNINGS, CAUTIONS, CRITICAL STEPS, and NOTES:

- Dealer Installation Recommended. Instructions may refer to service manual.
- This part is to be installed at a surface temperature of 65-100°F.
- This is a common kit, not all parts may be used.

INSTALLATION OVERVIEW:

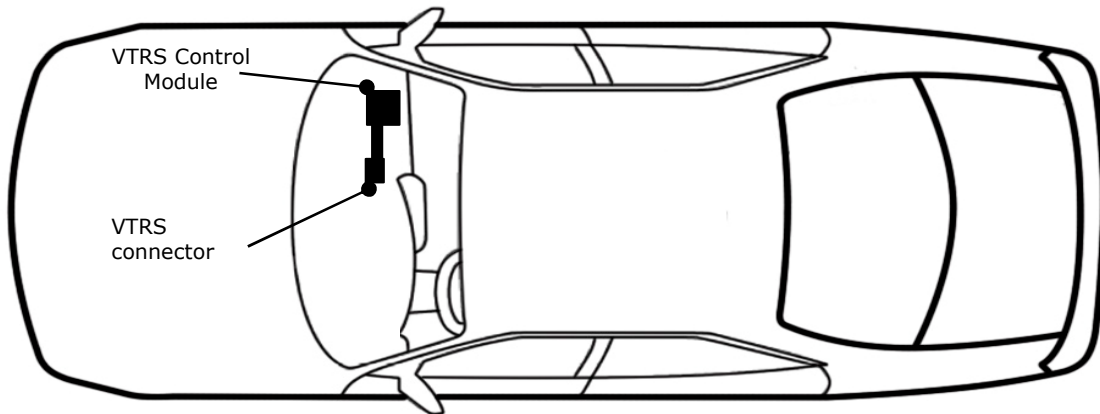
System Block Diagram

Fig.1



Vehicle outline with installation overview

Fig.2



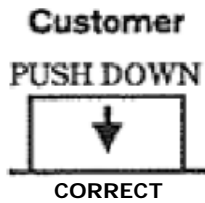
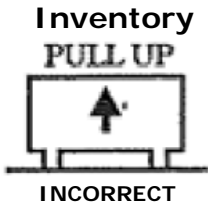
INSTALLATION PROCEDURE:

- 1) Apply parking brake.
- 2) Confirm the vehicle is no longer in the default shipping state (Extended Storage Switch Pulled Up and BCM in Transit Mode). Failure to confirm the vehicle has been removed from this state will result in the loss of normal vehicle operation. The confirmation requires two checks:

2a) Locate the Extended Storage Switch in the cabin fuse block. Once located, check that it is in the "Customer" position. See below for reference.

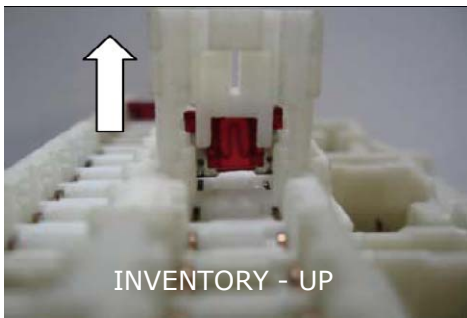
2b) To remove transit mode is by doing as follows:

1. Remove fuse cover lid
2. Push down shorting pin
3. Ign On 2 times without turn the vehicle on



To put transit mode back is by doing as follows:

1. Ign Off
2. Remove fuse cover lid
3. Pull up shorting pin
4. Assemble fuse cover lid
5. Ign On 2 times without turn the vehicle on
6. Confirm transit mode condition on meter



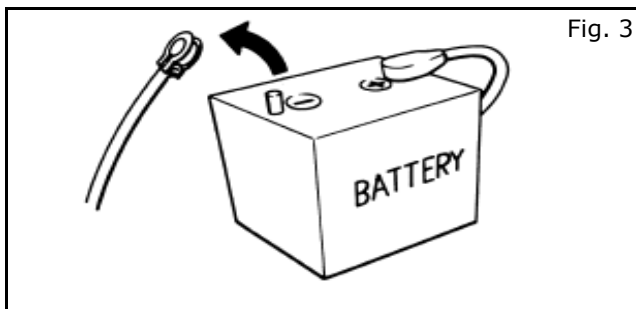
NOTE:

Typical vehicle condition shown above. Switch is easily identifiable by the permanent, push-pull fuse holder. Actual position on the fuse block may vary, vehicle to vehicle.

- 3) Turn ignition switch to "ON" position.
- 4) Record the customer radio presets and other presets as required.

Preset	1	2	3	4	5	6	7	

- 5) Put the shift lever in "P" position.
- 6) Turn the ignition switch to "OFF" position.



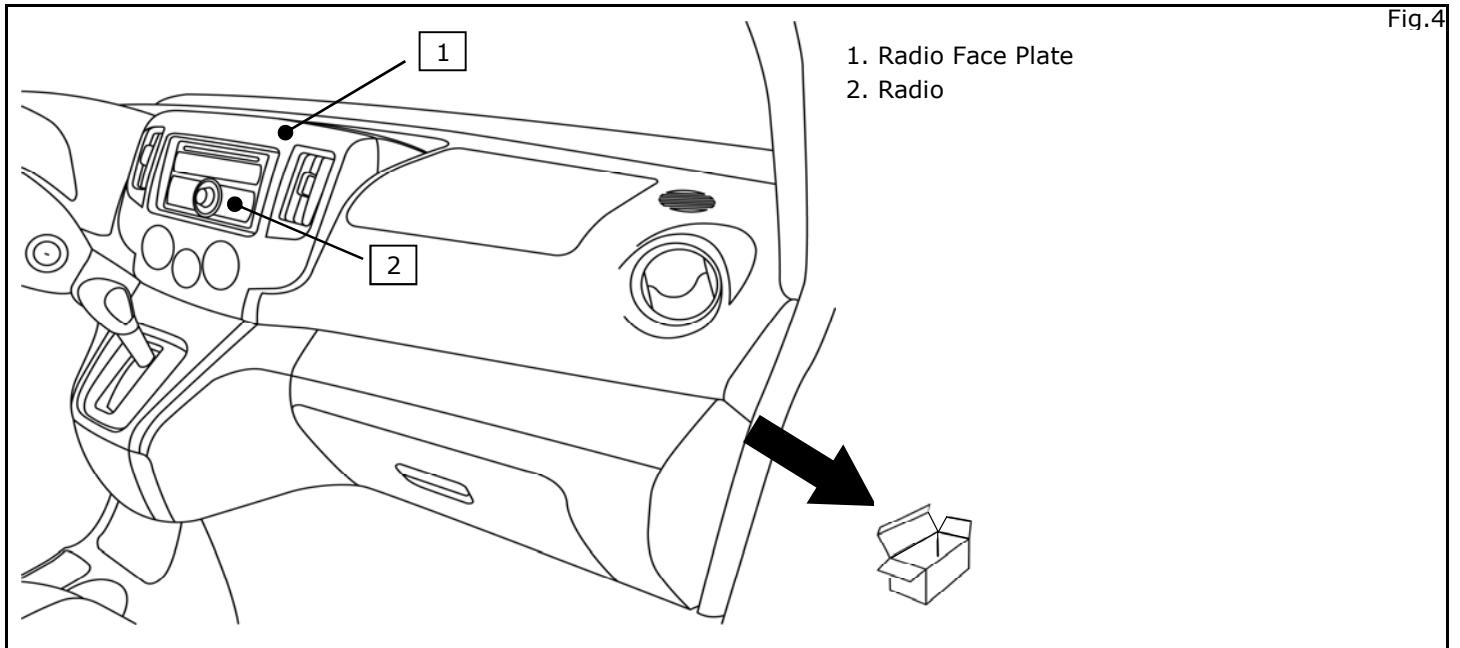
- 7) Disconnect the negative battery terminal.

INSTALLATION PROCEDURE:

⚠ CAUTION

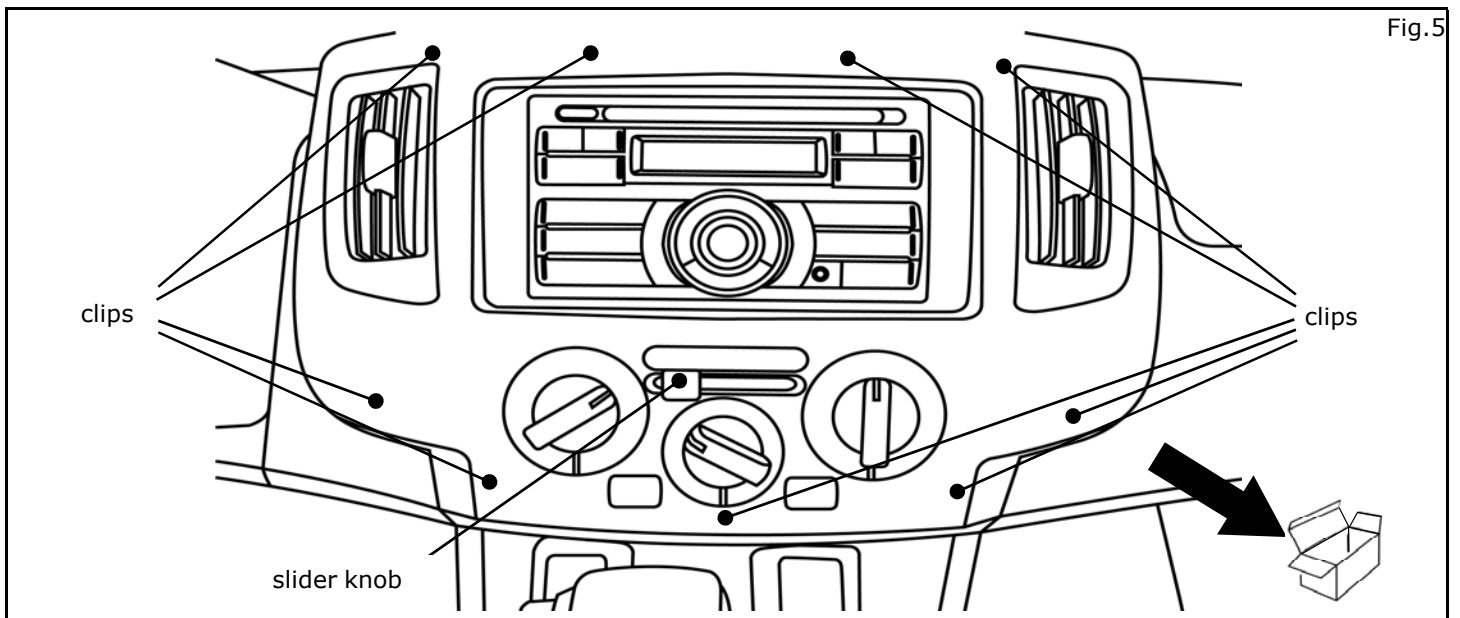
- Take care not to scratch or damage any component during the removal or re-installation process.
- Trim pieces found to have witness marks or broken clips are not to be reinstalled.

8) Remove the following vehicle parts in the sequence shown below. Store these re-usable parts in a safe and protected manner.



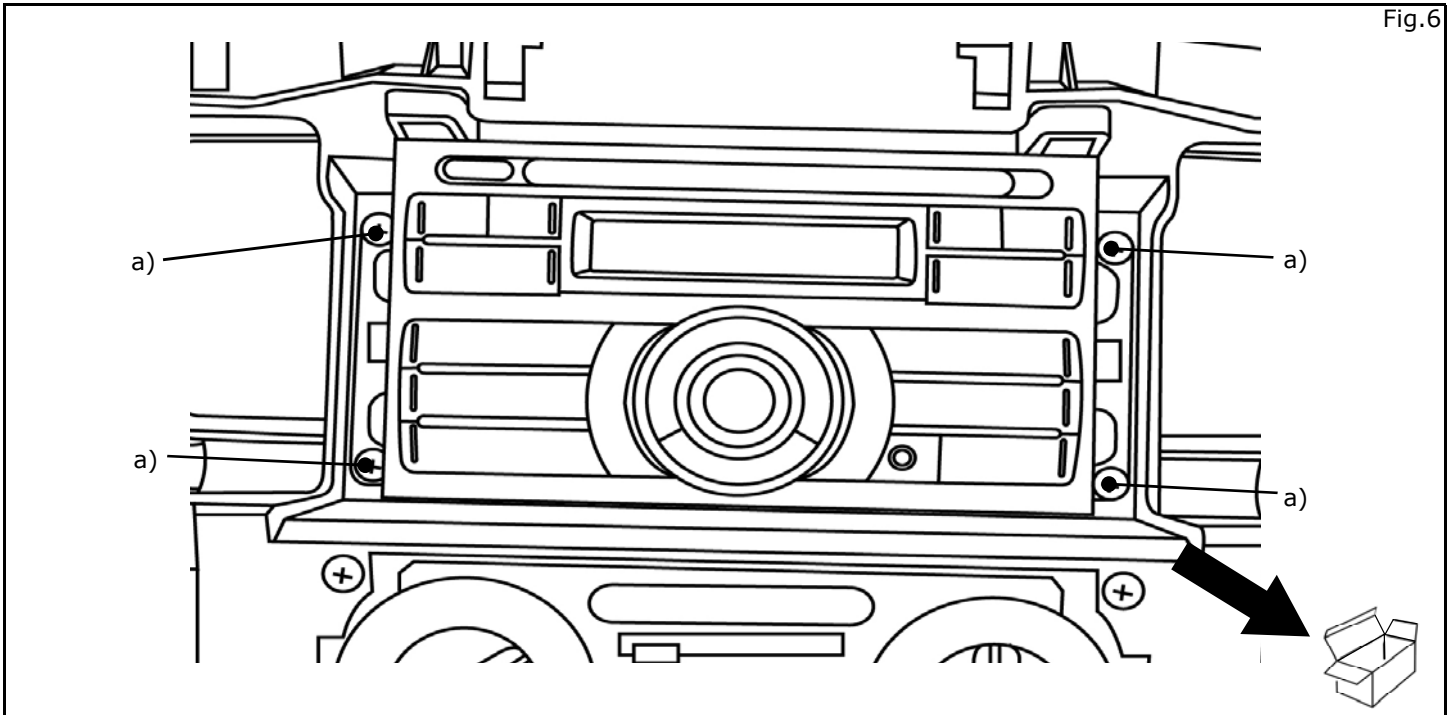
Locate the 2 pin VTRS connector taped to factory harness.

- 9) Remove radio face plate.
- a) Remove slider knob and store in a safe and protected manner.
 - b) Unfasten clips from the top down.

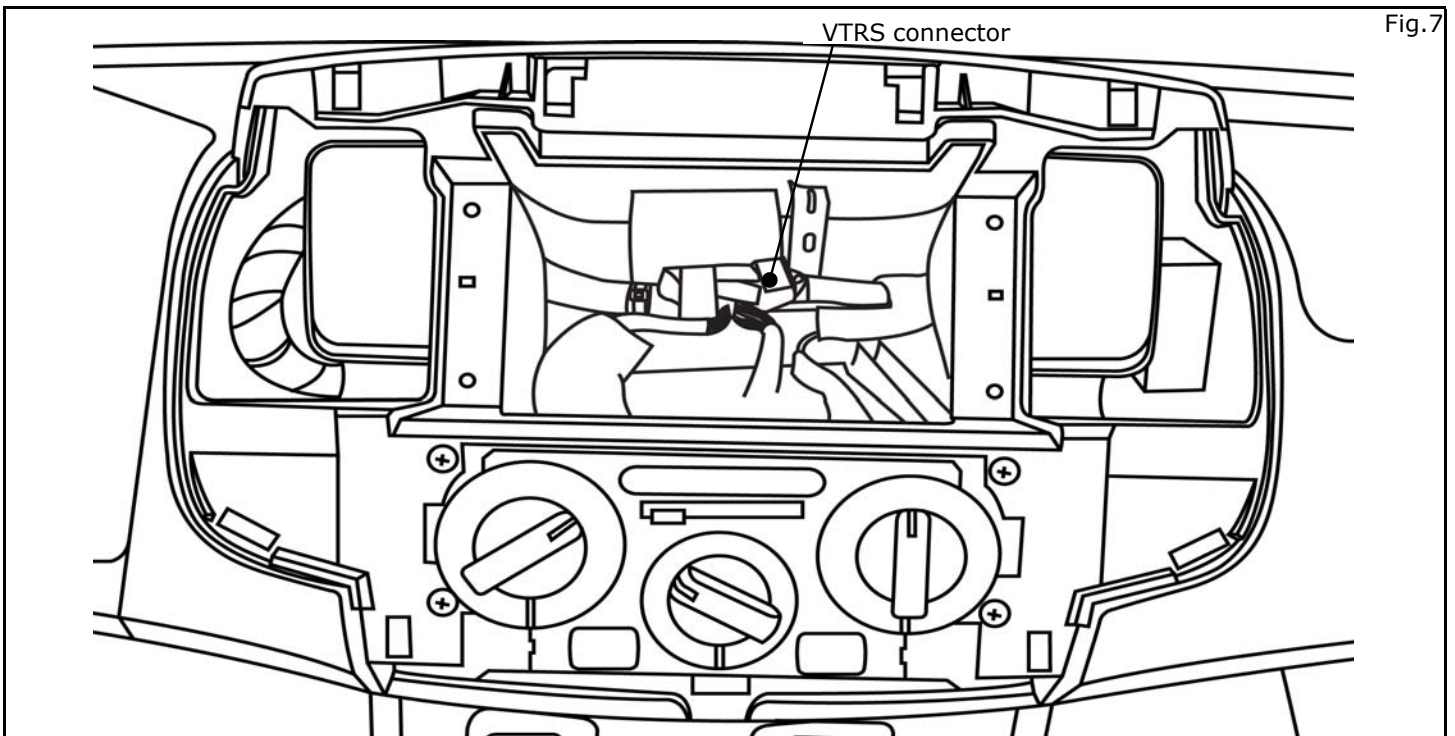


INSTALLATION PROCEDURE:

- 10) Remove Radio.
 - a) Remove (4) phillips screws.
 - b) Pull radio out to attain access to connecting harness.
 - c) Disconnect attaching harness and store radio in a safe and protected manner.

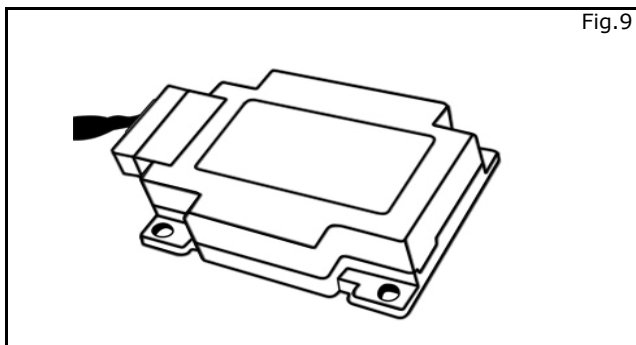
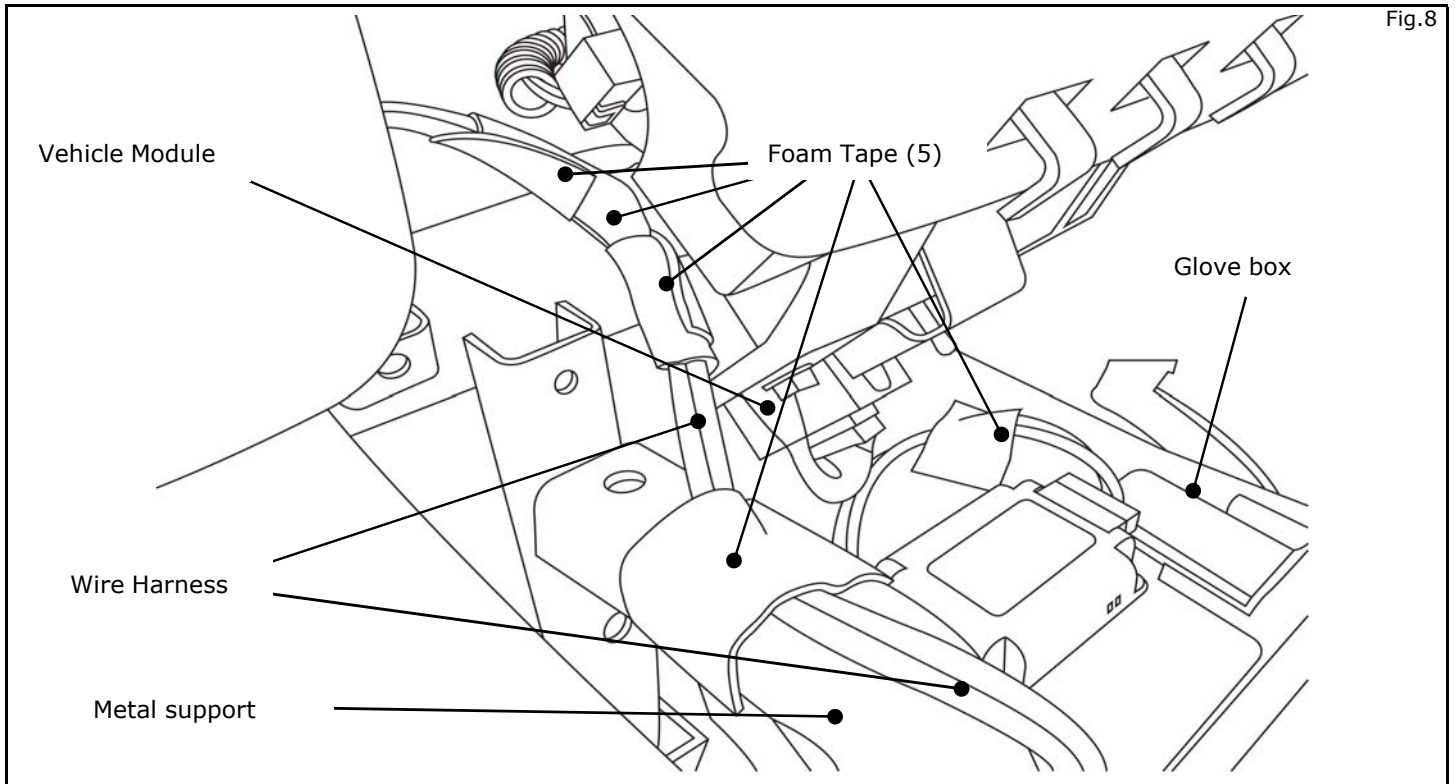


- 11) Locate the 24 pin VTRS connector taped to factory harness.
 - a) Connect the wire harness to the 24 pin connector.



INSTALLATION PROCEDURE:

- 12) Route Wire Harness behind HVAC duct and over metal glove box support to top of glove box.



- 13) Connect the harness to the VTRS Control Module without mounting.

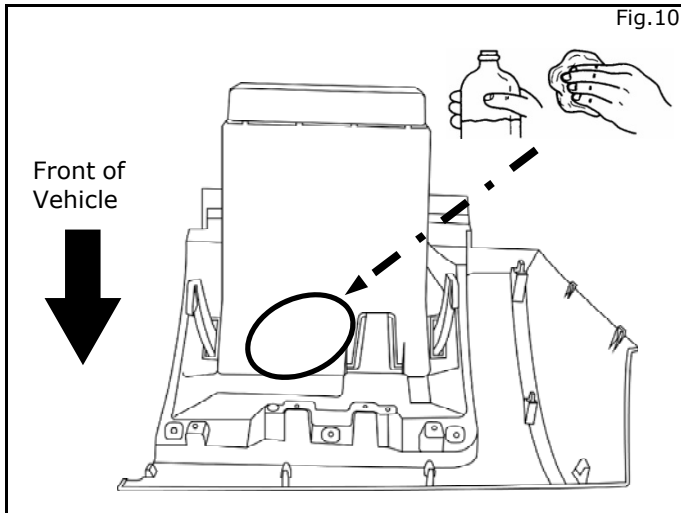
ACCESSORY CHECK:

- Connect all vehicle harness connections (without re-assemble).
- Connect the battery negative terminal and tighten the nut to 5.4 N-m (47.8 lb-in).
- Check all **Critical Installation Steps**.
- Verify the Control Module Diagnostic L.E.D.'s are blinking Green.
- Verify proper Diagnostic L.E.D. blinking pattern (without engine start).
- Turn ignition switch to "ON" position for ten seconds, the Green L.E.D. will continue to blink brightly once every two seconds.

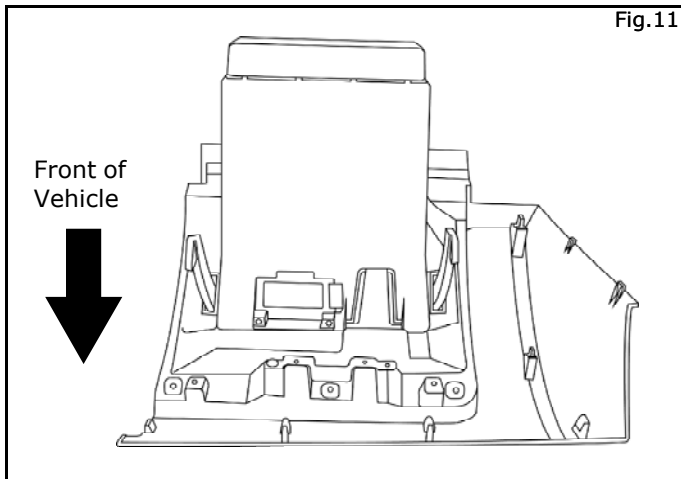
ACCESSORY CHECK:

- If Control Module fails the L.E.D. test, reject the part per rejection protocol.
- Repeat the L.E.D. diagnostic test with a new Control Module.
- Disconnect the negative battery terminal.

INSTALLATION PROCEDURE:



- 14) Prepare the module and mount with glovebox in place.
 - a) Clean glove box installation surface with $\geq 90\%$ alcohol/water solution.

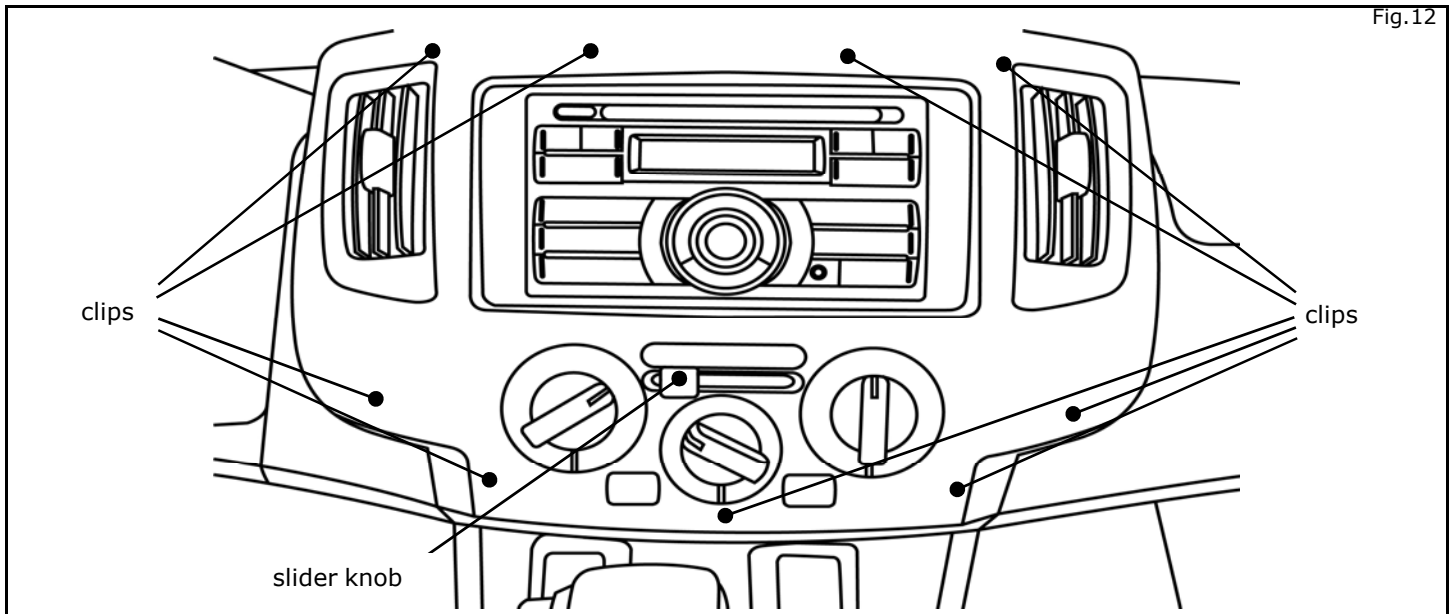


- 15) Secure the module to the glove box with the connector facing the passenger's side of the vehicle.
 - a) Peel tape liner from foam pad on Module.
 - b) Adhere the module to the top of the glove box.

- 16) Secure the wire harness to both the top of the glove box and metal support using foam tape.
 - a) Apply three (3) pieces of foam tape along wire harness starting approximately 8 inches from the 20 pin Telematics connector as shown in figure 8.

INSTALLATION PROCEDURE:

- 17) Re-install all removed vehicle parts. Refer to the vehicle service manual for more details.
 - a) Reconnect and re-install radio.
 - b) Reinstall radio trim from top to bottom.
 - c) Orient HVAC slider knob as to not obscure HVAC controls.



FINAL INSPECTION:



CAUTION

Use caution when re-installing interior components to avoid damage, scratches, or breaking of mounting clips. Refer to the vehicle service manual for more information.

- Verify re-installed trim parts for proper flush fit (no gap, no waviness, etc.).
- Verify all clips are fully engaged and locked.
- Verify re-installed trim parts are free from cracks, scratches or stress marks.
- Verify vehicle headliner, seat, steering wheel, center console, floor carpets, etc. are not soiled.
- Verify interior and exterior is not damaged.
- Turn ignition switch to "ON" and confirm proper operation of Vehicle Systems.
 - If equipped, verify all window and sunroof one touch operation and perform the reset procedure if necessary. Refer to the vehicle service manual for more details.
 - Confirm proper audio function (AM, FM, SAT, CD and AUX).
- Re-program radio presets and other vehicle settings to the recorded settings.
- Turn ignition switch to "OFF". Wait 10 seconds, then switch to "ON".

INSTALLATION PROCEDURE:

- Start engine and verify that there are no new Diagnostic Trouble Codes and the Meter is functional.
- If this vehicle will be returned to a dealer lot or showroom for an extended period of time, be sure the extended storage switch is placed in the "inventory" position. Refer to the **Extended Storage Switch** verbage at the beginning of the **Installation Procedure** section.
- Attach additional Label (ESN number) in VTRS Owners Manual Page # 1.
- Place the VTRS Owners Manual, Quick Reference Guide, and/or other Manual in the glove box.
- For activation information, please refer to VTRS Owner's Manual.
- Secure mirror hanger to rear view mirror.

